



Please write clearly in block capitals.

Centre number

--	--	--	--	--

Candidate number

--	--	--	--

Surname

Forename(s)

Candidate signature

I declare this is my own work.

A-level MATHEMATICS

Paper 3

Time allowed: 2 hours

Materials

- You must have the AQA Formulae for A-level Mathematics booklet.
- You should have a graphical or scientific calculator that meets the requirements of the specification.

Instructions

- Use black ink or black ball-point pen. Pencil should only be used for drawing.
- Fill in the boxes at the top of this page.
- Answer **all** questions.
- You must answer each question in the space provided for that question. If you need extra space for your answer(s), use the lined pages at the end of this book. Write the question number against your answer(s).
- Show all necessary working; otherwise marks for method may be lost.
- Do all rough work in this book. Cross through any work that you do not want to be marked.

Information

- The marks for questions are shown in brackets.
- The maximum mark for this paper is 100.

Advice

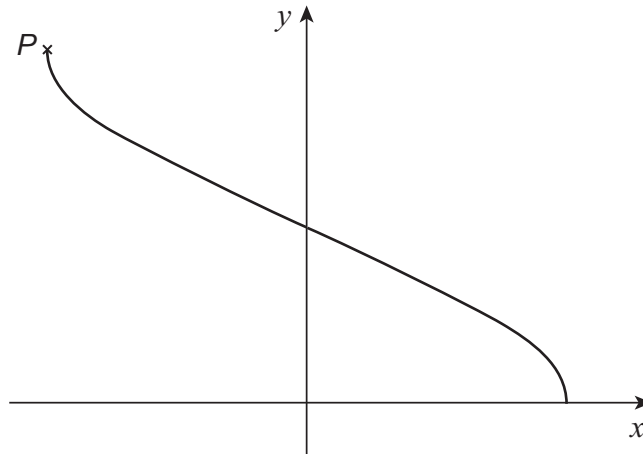
- Unless stated otherwise, you may quote formulae, without proof, from the booklet.
- You do not necessarily need to use all the space provided.

For Examiner's Use	
Question	Mark
1	
2	
3	
4	
5	
6	
7	
8	
9	
10	
11	
12	
13	
14	
15	
16	
17	
18	
TOTAL	



Section AAnswer **all** questions in the spaces provided.

- 1 The graph of $y = \arccos x$ is shown.

State the coordinates of the end point P .

Circle your answer.

[1 mark]

$(-\pi, 1)$

$(-1, \pi)$

$\left(-\frac{\pi}{2}, 1\right)$

$\left(-1, \frac{\pi}{2}\right)$



2 Simplify fully

$$\frac{(x+3)(6-2x)}{(x-3)(3+x)} \quad \text{for } x \neq \pm 3$$

Circle your answer.

[1 mark]

$$-2 \qquad 2 \qquad \frac{6-2x}{x-3} \qquad \frac{2x-6}{x-3}$$

3 $f(x) = 3x^2$

Obtain $\lim_{h \rightarrow 0} \frac{f(x+h) - f(x)}{h}$

Circle your answer.

[1 mark]

$$\frac{3h^2}{h} \qquad x^3 \qquad \frac{3(x+h)^2 - 3x^2}{h} \qquad 6x$$

Turn over for the next question

Turn over ►



4 (a) Show that the first three terms, in descending powers of x , of the expansion of

$$(2x - 3)^{10}$$

are given by

$$1024x^{10} + px^9 + qx^8$$

where p and q are integers to be found.

[3 marks]

4 (b) Find the constant term in the expansion of

$$\left(2x - \frac{3}{x}\right)^{10}$$

[2 marks]



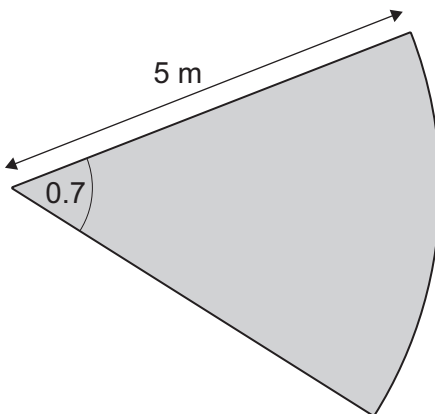
5

A gardener is creating flowerbeds in the shape of sectors of circles.

The gardener uses an edging strip around the perimeter of each of the flowerbeds.

The cost of the edging strip is £1.80 per metre and can be purchased for any length.

One of the flowerbeds has a radius of 5 metres and an angle at the centre of 0.7 radians as shown in the diagram below.



5 (a) (i) Find the area of this flowerbed.

[2 marks]

Question 5 continues on the next page

Turn over ►



Do not write
outside the
box

5 (a) (ii) Find the cost of the edging strip required for this flowerbed.

[3 marks]

5 (b) A flowerbed is to be made with an area of 20 m^2

5 (b) (i) Show that the cost, $\text{£}C$, of the edging strip required for this flowerbed is given by

$$C = \frac{18}{5} \left(\frac{20}{r} + r \right)$$

where r is the radius measured in metres.

[3 marks]



Turn over for the next question

*Do not write
outside the
box*

**DO NOT WRITE ON THIS PAGE
ANSWER IN THE SPACES PROVIDED**

Turn over ►



Do not write
outside the
box

7 A building has a leaking roof and, while it is raining, water drips into a 12 litre bucket.
When the rain stops, the bucket is one third full.
Water continues to drip into the bucket from a puddle on the roof.
In the first minute after the rain stops, 30 millilitres of water drips into the bucket.
In each subsequent minute, the amount of water that drips into the bucket reduces by 2%.
During the n th minute after the rain stops, the volume of water that drips into the bucket is W_n millilitres.

7 (a) Find W_2 **[1 mark]**

7 (b) Explain why

$$W_n = A \times 0.98^{n-1}$$

and state the value of A .

[2 marks]



Do not write
outside the
box

7 (c) Find the increase in the water in the bucket 15 minutes after the rain stops.

Give your answer to the nearest millilitre.

[2 marks]

7 (d) Assuming it does not start to rain again, find the maximum amount of water in the bucket.

[3 marks]

7 (e) After several hours the water has stopped dripping.

Give **two** reasons why the amount of water in the bucket is not as much as the answer found in part **(d)**.

[2 marks]

Turn over ►



Do not write
outside the
box

9 (b) State the range of values of x for which

$$f(x) = x^4 + 5x^3$$

is an increasing function.

[1 mark]

9 (c) A second function g is defined for all real values of x as

$$g(x) = x^4 - 5x^3$$

9 (c) (i) State the single transformation which maps f onto g .

[1 mark]

9 (c) (ii) State the range of values of x for which g is an increasing function.

[1 mark]

Turn over ►



Section B

Answer **all** questions in the spaces provided.

- 10** Anke has collected data from 30 similar-sized cars to investigate any correlation between the age of the car and the current market value.

She calculates the correlation coefficient.

Which of the following statements best describes her answer of -1.2 ?

Tick (✓) **one** box.

[1 mark]

Definitely incorrect

Probably incorrect

Probably correct

Definitely correct

- 11** The random variable X is such that $X \sim B(n, p)$

The mean value of X is 225

The variance of X is 144

Find p .

Circle your answer.

[1 mark]

0.36

0.6

0.64

0.8



Do not write
outside the
box

12

An electoral register contains 8000 names.

A researcher decides to select a systematic sample of 100 names from the register.

Explain how the researcher should select such a sample.

[3 marks]

Turn over for the next question

Turn over ►



- 13** The table below is an extract from the Large Data Set.

Propulsion Type	Region	Engine Size	Mass	CO ₂	Particulate Emissions
2	London	1896	1533	154	0.04
2	North West	1896	1423	146	0.029
2	North West	1896	1353	138	0.025
2	South West	1998	1547	159	0.026
2	London	1896	1388	138	0.025
2	South West	1896	1214	130	0.011
2	South West	1896	1480	146	0.029
2	South West	1896	1413	146	0.024
2	South West	2496	1695	192	0.034
2	South West	1422	1251	122	0.025
2	South West	1995	2075	175	0.034
2	London	1896	1285	140	0.036
2	North West	1896	0	146	

- 13 (a) (i)** Calculate the mean and standard deviation of CO₂ emissions in the table.

[2 marks]



Do not write
outside the
box

13 (a) (ii) Any value more than 2 standard deviations from the mean can be identified as an outlier.

Determine, using this definition of an outlier, if there are any outliers in this sample of CO₂ emissions.

Fully justify your answer.

[2 marks]

13 (b) Maria claims that the last line in the table must contain two errors.

Use your knowledge of the Large Data Set to comment on Maria's claim.

[2 marks]

Turn over for the next question

Turn over ►



*Do not write
outside the
box*

14 (c) Determine if A and B are independent events.

[1 mark]

Turn over for the next question

Turn over ►



16 The discrete random variable X has the probability function

$$P(X = x) = \begin{cases} c(7 - 2x) & x = 0, 1, 2, 3 \\ k & x = 4 \\ 0 & \text{otherwise} \end{cases}$$

where c and k are constants.

16 (a) Show that $16c + k = 1$

[2 marks]

16 (b) Given that $P(X \geq 3) = \frac{5}{8}$

find the value of c and the value of k .

[2 marks]

Turn over for the next question

Turn over ►



Do not write
outside the
box

17 James is playing a mathematical game on his computer.
The probability that he wins is 0.6
As part of an online tournament, James plays the game 10 times.
Let Y be the number of games that James wins.

17 (a) State two assumptions, in context, for Y to be modelled as $B(10, 0.6)$ **[2 marks]**

17 (b) Find $P(Y = 4)$ **[1 mark]**

17 (c) Find $P(Y \geq 4)$ **[2 marks]**



18 A factory produces jars of jam and jars of marmalade.

18 (a) The weight, X grams, of jam in a jar can be modelled as a normal variable with mean 372 and a standard deviation of 3.5

18 (a) (i) Find the probability that the weight of jam in a jar is equal to 372 grams. **[1 mark]**

18 (a) (ii) Find the probability that the weight of jam in a jar is greater than 368 grams. **[2 marks]**

18 (b) The weight, Y grams, of marmalade in a jar can be modelled as a normal variable with mean μ and standard deviation σ

18 (b) (i) Given that $P(Y < 346) = 0.975$, show that

$$346 - \mu = 1.96\sigma$$

Fully justify your answer. **[3 marks]**



Do not write
outside the
box

18 (b) (ii) Given further that

$$P(Y < 336) = 0.14$$

find μ and σ

[4 marks]

END OF QUESTIONS



There are no questions printed on this page

*Do not write
outside the
box*

**DO NOT WRITE ON THIS PAGE
ANSWER IN THE SPACES PROVIDED**



