

Leave
blank

Question 1 continued

Lined area for writing answers.

(Total 4 marks)

Q1

Q1



Leave blank

Question 2 continued

Lined area for writing the answer to Question 2.

(Total 7 marks)

Q2



Leave
blank

Question 3 continued

Lined area for writing the answer to Question 3.

(Total 9 marks)

Q3



4.

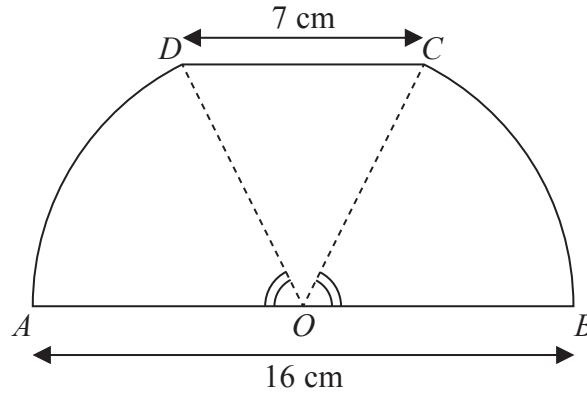


Figure 1

Figure 1 shows a sketch of a design for a scraper blade. The blade $AOBCDA$ consists of an isosceles triangle COD joined along its equal sides to sectors OBC and ODA of a circle with centre O and radius 8 cm. Angles AOD and BOC are equal. AOB is a straight line and is parallel to the line DC . DC has length 7 cm.

- (a) Show that the angle COD is 0.906 radians, correct to 3 significant figures. (2)
- (b) Find the perimeter of $AOBCDA$, giving your answer to 3 significant figures. (3)
- (c) Find the area of $AOBCDA$, giving your answer to 3 significant figures. (3)



Leave
blank

Question 5 continued

Handwritten answer area consisting of multiple horizontal lines for writing.

(Total 10 marks)

Q5

--	--



6. (a) Find

$$\int 10x(x^{\frac{1}{2}} - 2)dx$$

giving each term in its simplest form.

(4)

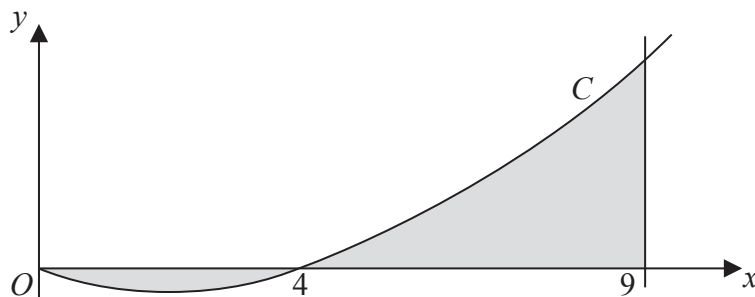


Figure 2

Figure 2 shows a sketch of part of the curve C with equation

$$y = 10x(x^{\frac{1}{2}} - 2), \quad x \geq 0$$

The curve C starts at the origin and crosses the x -axis at the point $(4, 0)$.

The area, shown shaded in Figure 2, consists of two finite regions and is bounded by the curve C , the x -axis and the line $x = 9$

(b) Use your answer from part (a) to find the total area of the shaded regions.

(5)



8. (i) Solve, for $0 \leq \theta < \pi$, the equation

$$\sin 3\theta - \sqrt{3} \cos 3\theta = 0$$

giving your answers in terms of π .

(3)

(ii) Given that

$$4 \sin^2 x + \cos x = 4 - k, \quad 0 \leq k \leq 3$$

(a) find $\cos x$ in terms of k .

(3)

(b) When $k = 3$, find the values of x in the range $0 \leq x < 360^\circ$

(3)



9. A solid glass cylinder, which is used in an expensive laser amplifier, has a volume of $75\pi \text{ cm}^3$.

The cost of polishing the surface area of this glass cylinder is £2 per cm^2 for the curved surface area and £3 per cm^2 for the circular top and base areas.

Given that the radius of the cylinder is $r \text{ cm}$,

(a) show that the cost of the polishing, £ C , is given by

$$C = 6\pi r^2 + \frac{300\pi}{r} \tag{4}$$

(b) Use calculus to find the minimum cost of the polishing, giving your answer to the nearest pound. (5)

(c) Justify that the answer that you have obtained in part (b) is a minimum. (1)



