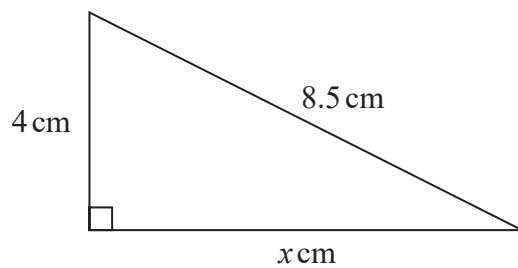


1 Here is a right-angled triangle.

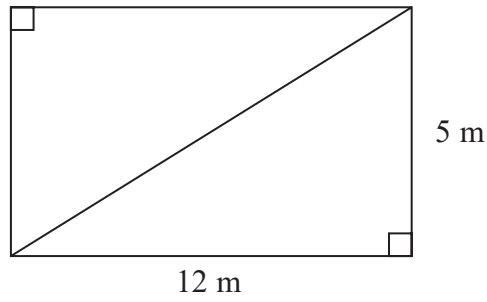


Work out the value of x .

$x = \dots\dots\dots$

(Total for Question 1 is 2 marks)

2 This rectangular frame is made from 5 straight pieces of metal.



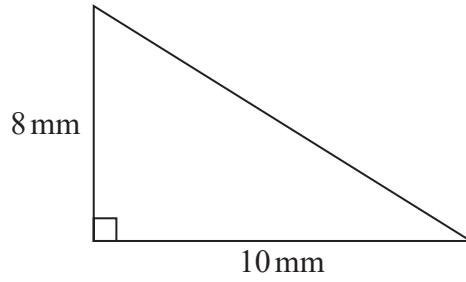
The weight of the metal is 1.5 kg per metre.

Work out the total weight of the metal in the frame.

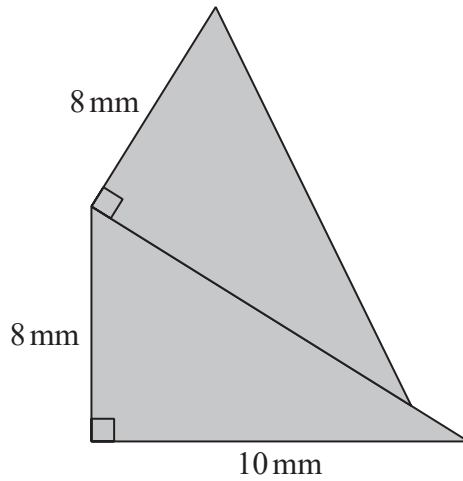
..... kg

(Total for Question 2 is 5 marks)

3 Here is a right-angled triangle.



The shaded shape below is made from two of these triangles.

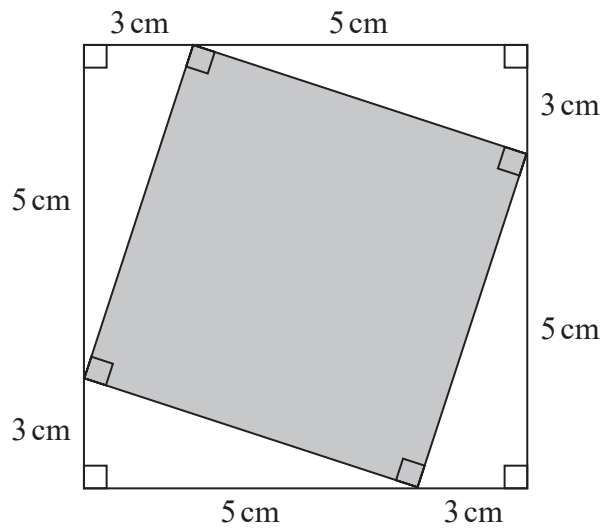


Work out the perimeter of the shaded shape.
Give your answer correct to 3 significant figures.

..... mm

(Total for Question 3 is 4 marks)

4 This diagram shows two squares.



Work out the area of the square shown shaded in the diagram.

.....
(Total for Question 4 is 4 marks)