

Centre No.						Paper Reference					Surname	Initial(s)		
Candidate No.						6	6	6	4	/	0	1	Signature	

Paper Reference(s)  
**6664/01**

**Edexcel GCE**  
**Core Mathematics C2**  
**Advanced Subsidiary**  
Thursday 26 May 2011 – Morning  
Time: 1 hour 30 minutes

Examiner's use only


Team Leader's use only

--	--	--

Question Number	Leave Blank
1	
2	
3	
4	
5	
6	
7	
8	
9	
Total	

Materials required for examination      Items included with question papers  
Mathematical Formulae (Pink)              Nil

**Candidates may use any calculator allowed by the regulations of the Joint Council for Qualifications. Calculators must not have the facility for symbolic algebra manipulation or symbolic differentiation/integration, or have retrievable mathematical formulae stored in them.**

**Instructions to Candidates**

In the boxes above, write your centre number, candidate number, your surname, initials and signature. Check that you have the correct question paper.  
Answer ALL the questions.  
You must write your answer for each question in the space following the question.  
When a calculator is used, the answer should be given to an appropriate degree of accuracy.

**Information for Candidates**

A booklet 'Mathematical Formulae and Statistical Tables' is provided.  
Full marks may be obtained for answers to ALL questions.  
The marks for individual questions and the parts of questions are shown in round brackets: e.g. (2).  
There are 9 questions in this question paper. The total mark for this paper is 75.  
There are 32 pages in this question paper. Any blank pages are indicated.

**Advice to Candidates**

You must ensure that your answers to parts of questions are clearly labelled.  
You should show sufficient working to make your methods clear to the Examiner.  
Answers without working may not gain full credit.



1.  $f(x) = 2x^3 - 7x^2 - 5x + 4$

(a) Find the remainder when  $f(x)$  is divided by  $(x-1)$ . (2)

(b) Use the factor theorem to show that  $(x+1)$  is a factor of  $f(x)$ . (2)

(c) Factorise  $f(x)$  completely. (4)

---

---

---

---

---

---

---

---

---

---

---

---

---

---

---

---

---

---

---

---

---

---

---

---

---

---

---

---

---

---



Leave  
blank

**Question 1 continued**

20 horizontal lines for writing the answer to Question 1 continued.

**(Total 8 marks)**

**Q1**







3. Find, giving your answer to 3 significant figures where appropriate, the value of  $x$  for which

(a)  $5^x = 10$  , (2)

(b)  $\log_3(x-2) = -1$  . (2)

---

---

---

---

---

---

---

---

---

---

---

---

---

---

---

---

---

---

---

---

---

---

---

---

---

---

---

---

---

---





Leave  
blank

4. The circle  $C$  has equation  $x^2 + y^2 + 4x - 2y - 11 = 0$

Find

(a) the coordinates of the centre of  $C$ , (2)

(b) the radius of  $C$ , (2)

(c) the coordinates of the points where  $C$  crosses the  $y$ -axis, giving your answers as simplified surds. (4)

---

---

---

---

---

---

---

---

---

---

---

---

---

---

---

---

---

---

---

---

---

---

---

---

---

---

---

---

---

---

---











5.

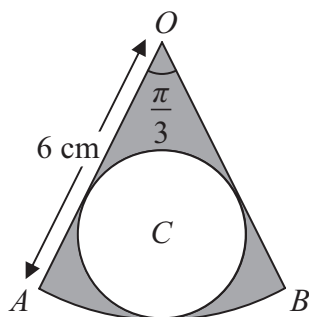


Figure 1

The shape shown in Figure 1 is a pattern for a pendant. It consists of a sector  $OAB$  of a circle centre  $O$ , of radius 6 cm, and angle  $AOB = \frac{\pi}{3}$ . The circle  $C$ , inside the sector, touches the two straight edges,  $OA$  and  $OB$ , and the arc  $AB$  as shown.

Find

(a) the area of the sector  $OAB$ , (2)

(b) the radius of the circle  $C$ . (3)

The region outside the circle  $C$  and inside the sector  $OAB$  is shown shaded in Figure 1.

(c) Find the area of the shaded region. (2)

---



---



---



---



---



---



---



---



---



---



---



---



---



---



---



---



---



---



---



---



---



---



---









6. The second and third terms of a geometric series are 192 and 144 respectively.

For this series, find

- (a) the common ratio, (2)
- (b) the first term, (2)
- (c) the sum to infinity, (2)
- (d) the smallest value of  $n$  for which the sum of the first  $n$  terms of the series exceeds 1000. (4)

---

---

---

---

---

---

---

---

---

---

---

---

---

---

---

---

---

---

---

---

---

---

---

---

---

---

---

---

---









**Question 6 continued**

Lined writing area for the answer to Question 6.

**Q6**

**(Total 10 marks)**

--	--











8.

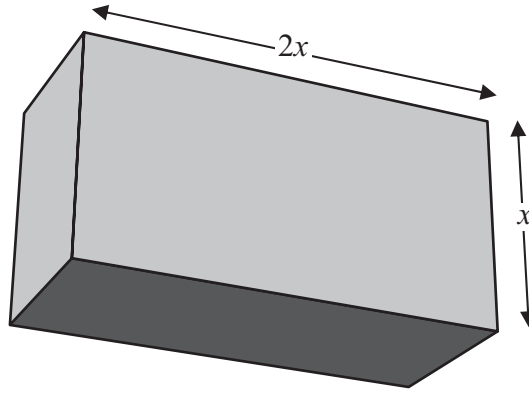


Figure 2

A cuboid has a rectangular cross-section where the length of the rectangle is equal to twice its width,  $x$  cm, as shown in Figure 2.

The volume of the cuboid is 81 cubic centimetres.

- (a) Show that the total length,  $L$  cm, of the twelve edges of the cuboid is given by

$$L = 12x + \frac{162}{x^2} \quad (3)$$

- (b) Use calculus to find the minimum value of  $L$ . (6)

- (c) Justify, by further differentiation, that the value of  $L$  that you have found is a minimum. (2)

---

---

---

---

---

---

---

---

---

---

---

---

---

---

---

---

---

---

---

---

---

---

---

---



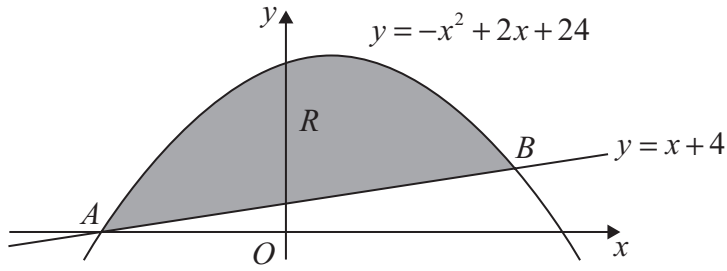








9.



**Figure 3**

The straight line with equation  $y = x + 4$  cuts the curve with equation  $y = -x^2 + 2x + 24$  at the points  $A$  and  $B$ , as shown in Figure 3.

(a) Use algebra to find the coordinates of the points  $A$  and  $B$ . **(4)**

The finite region  $R$  is bounded by the straight line and the curve and is shown shaded in Figure 3.

(b) Use calculus to find the exact area of  $R$ . **(7)**

---

---

---

---

---

---

---

---

---

---

---

---

---

---

---

---

---

---

---

---

---

---

---

---

---

---

---

---

---

---









